



Water Meters

15 – 500mm (1/2” – 20”)

Triangle Filtration & Irrigation have a full range of 15 – 500mm (1/2” – 20”) water meters available.



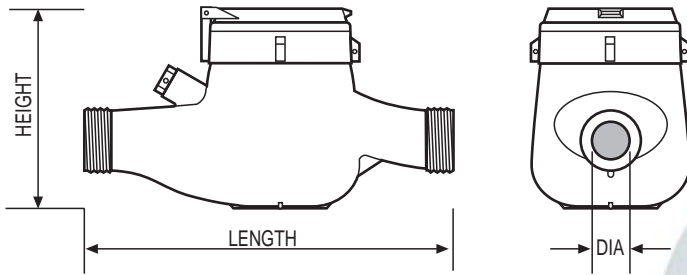
Features include:

- ✓ Pulse outputs available in a variety of graduations.
- ✓ Quality European designed and manufactured registers, with $\pm 2\%$ accuracy.
- ✓ 15 – 50 mm units are multijet operation with cast bronze bodies, male threaded connections.
- ✓ 50 – 500 mm units are tangential paddle wheel (80 – 200mm), or turbine type meters, with cast iron bodies.
- ✓ All units are epoxy coated for corrosion resistance.
- ✓ Proven performance and reliability from many years of operation.

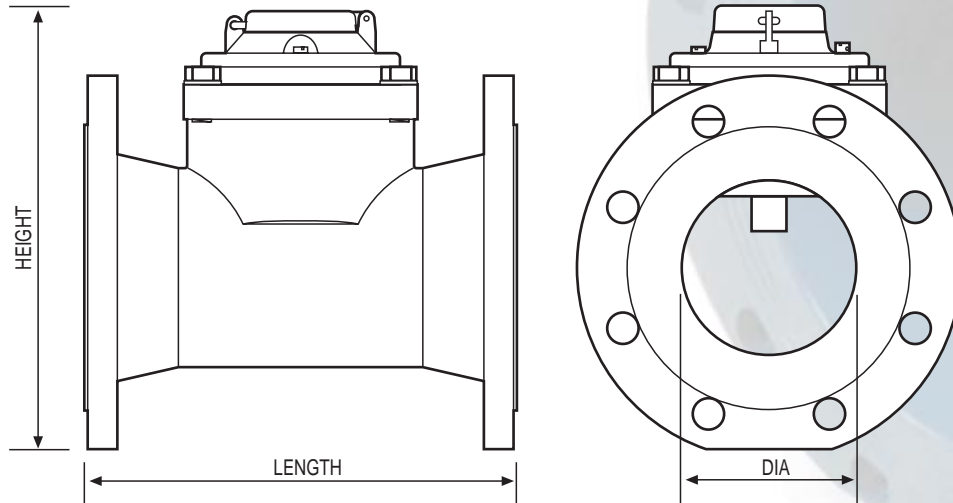
15-500mm Water Meters

TECHNICAL DATA

15-50mm THREADED



50-500mm FLANGED



Diameter	mm	15	20	25	32	40	50	50	80	100	150	200	250	300	400	500	
	inch	1/2	3/4	1	1 1/4	1 1/2	2	2	3	4	6	8	10	12	16	20	
Catalogue No		WM015	WM020	WM025	WM032	WM040	WM050T	WM050F	WM080	WM100	WM150	WM200	WM250	WM300	WM400	WM500	
Connections		Threaded BSP - Male						Flanged Table "E"									
Meter Type		Multi-Jet						Turbine	Tangential Paddle				Turbine				
Body Material		Bronze - Casting						Cast Iron						Fabricated Mild Steel			
Maximum Flow m ³ /hr	Q _{max}	3	5	7	10	20	30	30	150	250	500	900	800	1200	2000	3000	
Nominal Flow m ³ /hr	Q _n	1.5	2.5	3.5	5	10	15	15	90	125	250	450	400	600	1000	1500	
Transitional Flow m ³ /hr	Q _t	0.120	0.200	0.280	0.400	0.800	1.2	3	10	11	15	30	15	120	200	300	
Minimum Flow m ³ /hr	Q _{min}	0.030	0.050	0.070	0.100	0.200	0.30	0.30	5	7	10	18	10	20	50	75	
Counter Reading	m ³	1						10									
Dial Readings	m ³	0.0001, 0.001, 0.01, 0.1				0.001, 0.01 & 0.1				0.01, 0.1 & 1				1			
Dimensions	Length	170	190	260	260	300	300	275	225	250	300	350	450	690	800	800	
	Height	120	120	130	130	145	172	210	250	260	300	340	430	520	690	750	
Pulse Outputs Available	m ³	0.001, 0.01 & 0.1						N/A		0.01, 0.1, & 1						1 & 10	
Weight	kg	1.35	1.5	2.4	2.4	4.4	4.8	9.5	15	19	30	48	55	86	170	210	

- Add Suffix "P" to order meter with Pulse output.
- Accuracy: Q_{max} - Q_t: ±2%, Q_n - Q_{min}: ±5%.
- Please nominate pulse output required.
- Threaded couplings included for 15-50mm units.



TRIANGLE FILTRATION
ABN 31 007 023 323

17 Hinkler Road,
Mordialloc, Vic. 3195, Australia.
Ph: (03) 9580 2122
Fax: (03) 9580 3131
Email: triangle@filtomat.com.au
www.filtomat.com.au

AVAILABLE FROM